

## 2.4 GHz Wireless B/W Security System

### User's Manual Manuel d'utilisation Manual del Usuario Benutzerhandbuch Manuale utente

December, 2004  
P/N: 405-000296-00

#### Figures and Quick Guide/Figures et guide rapide /Figuras y Guía Rápido/Abbildungen und Schnellanleitung /Figura e guida rapida

#### Product Layout/Figures des produits/Contenido del paquete /Produkt-Layout/Descrizione del Prodotto

#### Camera/Cámara/Cámara/Kamera/Telecamera

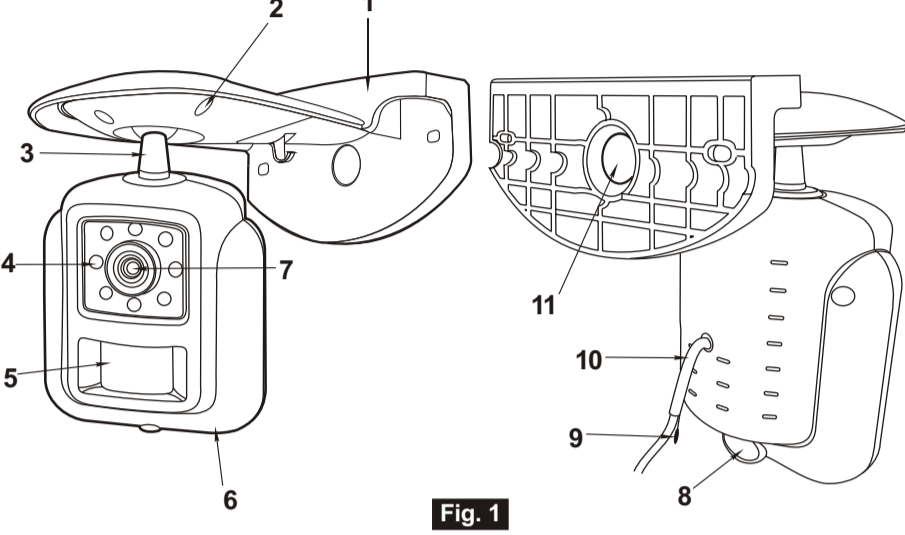


Fig. 1

#### Monitor/Moniteur

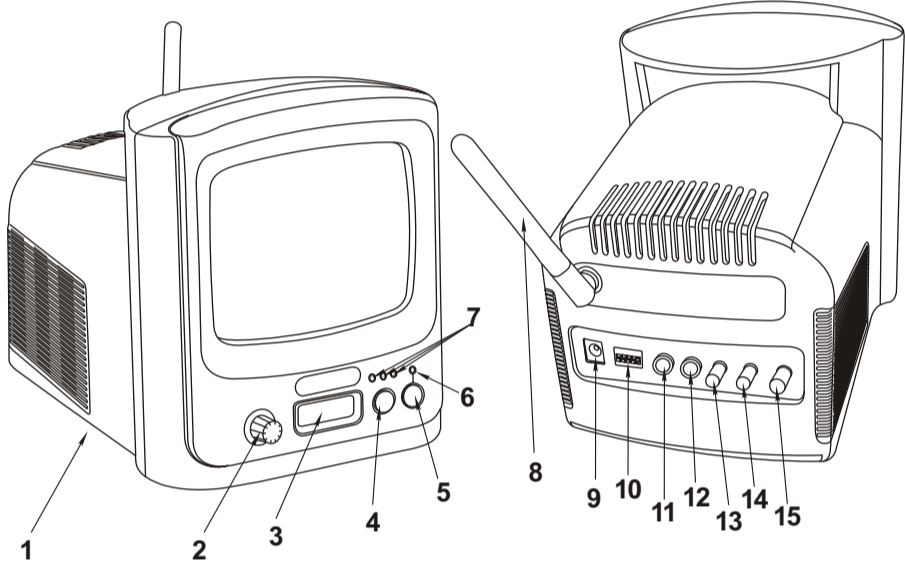


Fig. 2

#### 1 Setting up the Camera/Installer la cámara /Configuración de la cámara/Einrichten der Kamera /Installazione della videocamera

##### 1.1 Select Channels/Sélection des canaux/Selección de Canales /Auswahl von Kanälen/Selezione dei canali

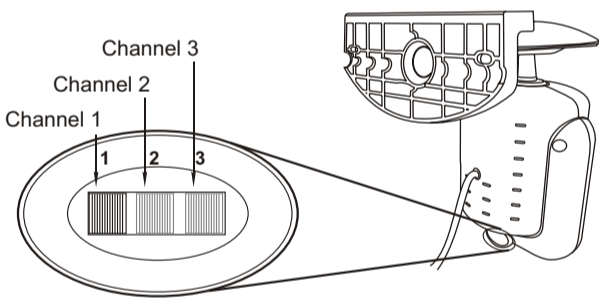


Fig. 3

##### 1.2 Positioning the camera/Positionnement de la cámara /Montaje de la cámara/Befestigung der Kamera /Posizionamento della telecamera

Mounting on a wall/Fixation sur un mur/Montaje en la pared  
/Befestigung an einer wand/Montaggio a parete

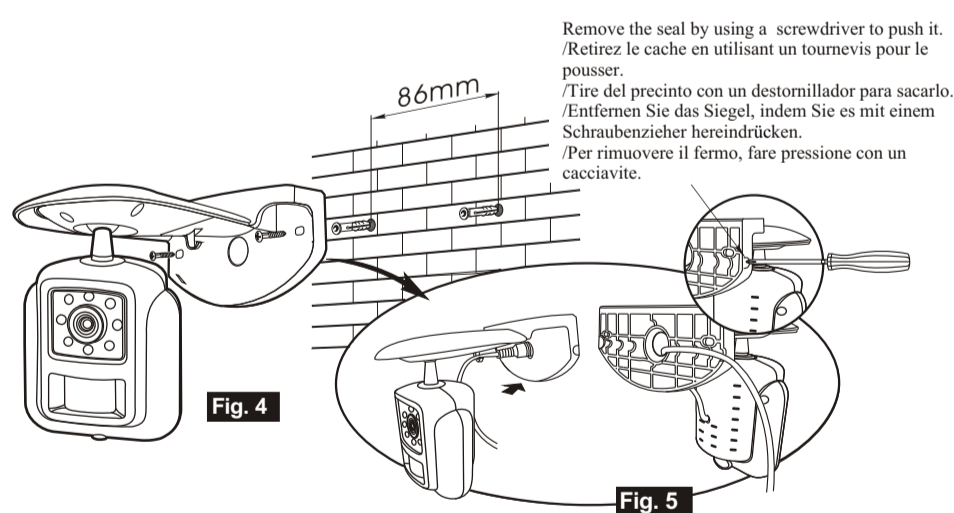


Fig. 4

Mounting on a ceiling/Fixation à un plafond/Montaje en el techo  
/Befestigung an einer decke/montaggio a soffitto

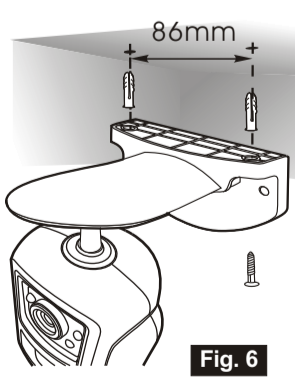


Fig. 6

##### 1.3 Power Supply/Alimentation/Alimentación/Stromversorgung /Alimentazione elettrica

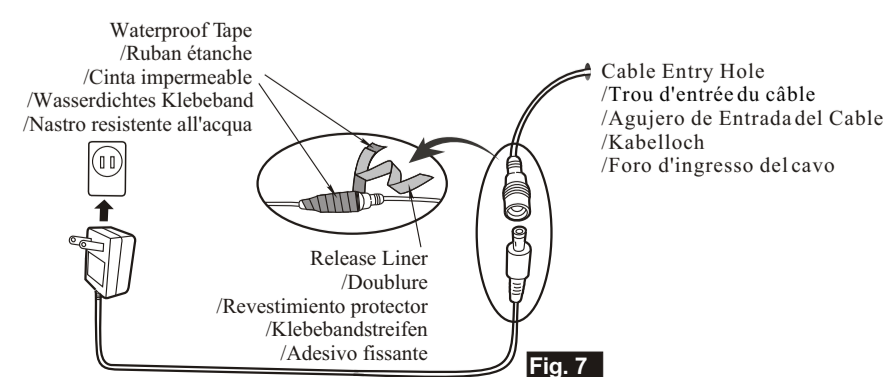


Fig. 7

#### 1.4 Fine Tuning/Ajustement/Ajuste Fino/Ausrichtung/Sintonia fine

Longitudinal turn (Tilt)  
/Rotation longitudinale (inclinaison)  
/Giro longitudinale (Inclinación)  
/Vertikales Drehen (Klappen)  
/Rotazione longitudinale (Inclinazione)

Horizontal turn (Pan)  
/Rotation horizontale (panoramique)  
/Giro Horizontal (Panoramica)  
/Horizontales Drehen (Schwenken)  
/Rotazione orizzontale (Panoramica)

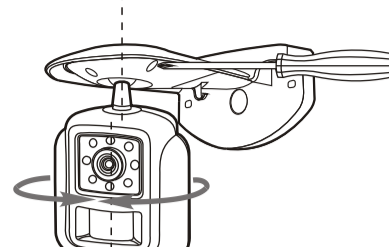


Fig. 8

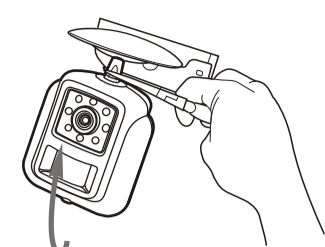


Fig. 9

#### 2 Setting up the Monitor/Configuration du moniteur /Instalación del monitor/Einrichten des Monitors /Configurazione del monitor

##### 2.1 Power Supply/Alimentation/Alimentación/Stromversorgung /Alimentazione

To Load Batteries/Insérer les piles/Caragar las Baterías  
/Einlegen der Batterien/Per mettere le batterie

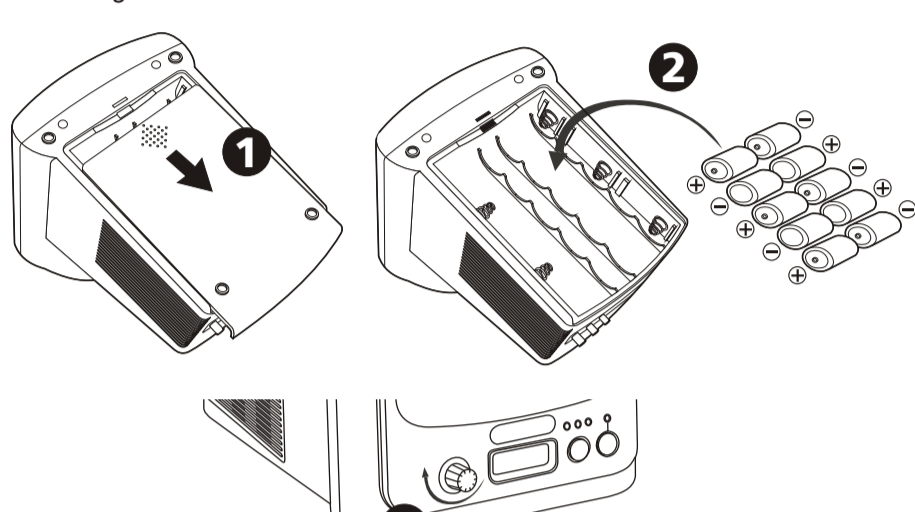


Fig. 10

Using AC Power/Utilisation de l'alimentation AC/Usar Corriente AC  
/Benutzen von Netzstrom/Usso della corrente AC

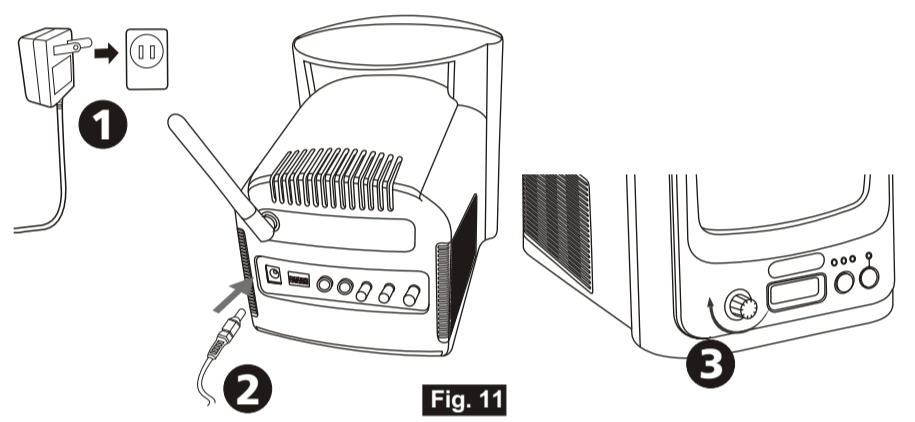


Fig. 11

##### 2.2 Select Channels/Sélection des canaux/Selección de Canales /Auswahl von Kanälen/Selezione dei canali

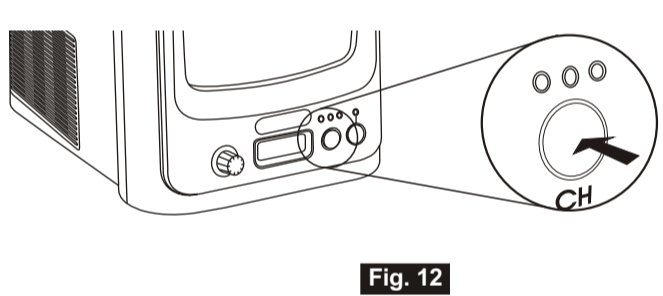


Fig. 12

#### Other Applications/Autres applications/Otras aplicaciones /Andere Anwendungen/Altre applicazioni

#### Recording on a VCR/Enregistrement sur un magnéscope /Grabar con un VCR/Aufnahme auf einen Videorecorder /Registrazione su un VCR

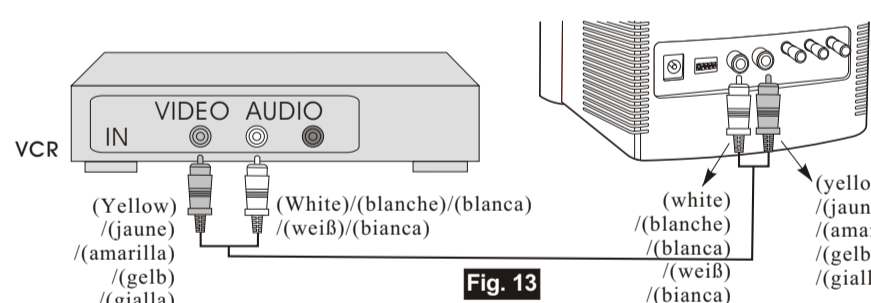


Fig. 13

#### PIR Motion Detector/Détecteur de mouvement PIR /Detector de movimiento PIR/PIR Bewegung Detektor /Rivelatore di movimento PIR

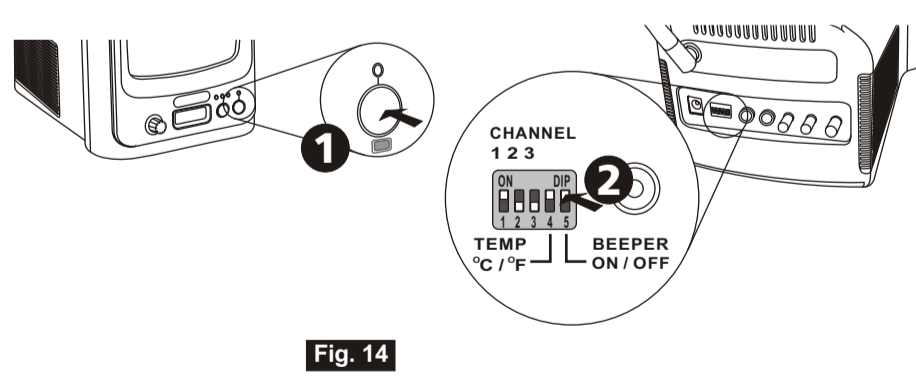


Fig. 14

#### Setting Temperature Display Format/Reglage Du Format D'affichage De la Temperature/Fijar Tamano De Representacion De la Temperatura /Einstellung Des Temperatur-Anzeigeformats /Regolazione Del Formato Di Affissione Di Temperatura

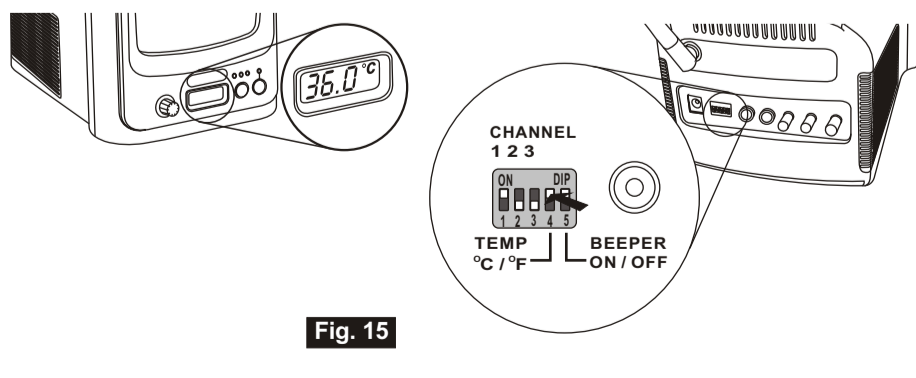


Fig. 15

#### 2 Setting Up the Monitor

##### 2.1 Power Supply

The monitor uses either 10 C-size batteries or household AC current.

#### To Load Batteries

1. Open the battery compartment cover on the bottom of the monitor. See Fig. 10.
2. Insert 10 C-size batteries, making sure to match the positive (+) and negative (-) ends to the diagram inside the battery compartment. Please refer to Fig. 10.
3. Close the battery compartment cover. Make sure the battery compartment cover is locked securely.  
**Note 1:** Never mix old batteries with new ones.  
**Note 2:** Remove batteries from the camera if you do not plan to use it for a period of time.
4. Turn the monitor on. The LED on the front of the monitor should light. See Fig. 10.
5. Adjust the volume to a comfortable level.

## English

### What You Get

- One Camera
- One Monitor
- Two Power Adapters
- Mounting Bracket
- Waterproof Tape
- Fixing Screws and Masonry Plugs
- This User's Manual

**Note:** The AC adapters CANNOT be interchanged. Use only the adapter labeled OUTPUT: 9V DC with the camera. Use only the adapter labeled OUTPUT: 13.5V DC with the monitor.

### Product Layout

#### Camera (Fig. 1)

1. Mounting Bracket
2. Screw For Fixing Angle
3. Pivot
4. Infrared LEDs (Eight LEDs provide infrared light for night vision)
5. PIR Motion Detector
6. Microphone
7. Lens
8. Channel Selection Switch (Select the channel by sliding the slide switch to the channel number you want. **Note:** Must select the same channel both on the camera and monitor.)
9. Thermometer
10. Power Cable
11. Cable Management Bracket

#### Monitor (Fig. 2)

1. Battery Compartment
2. Power/Volume Control
3. Temperature Display LCD
4. Channel Selection Switch (Select the channel by sliding the slide switch to the channel number you want. **Note:** Must select the same channel both on monitor and receiver.)
5. PIR Motion Detector Button
6. PIR Motion Detection Indicator LED
7. Channel Indicator LEDs
8. Antenna
9. 13.5V Power Adapter Plug
10. Default Channel/Temperature Display Format/PIR Beeper Switch
11. Audio Output Jack (White)
12. Video Output Jack (Yellow)
13. V-HOLD
14. BRIGHT (Brightness)
15. CONT (Contrast)

### Setting Up

#### 1 Setting up the Camera

##### 1.1 Select channels

Select the channel on the camera by sliding the slide switches on the back of the camera, see Fig. 3. (Remove the rubber plug at the bottom of the back of camera. Slide the switches by using a screwdriver.)

##### 1.2 Positioning the camera

The camera can be mounted either to a wall or ceiling. The monitor reception should be tested before fixing the camera in place. Have one person hold the camera in the proposed mounting position while another checks the reception on the monitor. If interference or other problems are present, refer to the "Troubleshooting" section of this manual. You may need to select a different location to mount the camera.

1. Drill two holes 86mm apart, at the camera mounting position.
  2. Fix the camera to the wall or ceiling using the masonry plugs and fixing screws supplied. See Fig. 4 and Fig. 6.
- Note:** There is a hole on the bracket. Thread the cable from the camera through the hole and insert the cable into the groove on the back of the bracket, then fix the camera on to the wall. See Fig. 5.
3. Select a suitable location to drill a cable entry hole. Depending on the location, this can be through the house wall or through a door or window frame.
  4. Push the cable through the cable entry hole. We recommend using a plastic bag to protect the plug on the end of the cable from dust and damage. Pull the rest of the cable inside.

##### 1.3 Power supply

1. Connect the plug of the power adapter with the Power In socket of the cable from the camera. Make sure power plugs are pushed all the way in.
2. Plug the AC adapter into a wall outlet. See Fig. 7.

#### How to use the waterproof tape

After connecting the plug of the power adapter to the Power In socket of the camera, use the provided waterproof tape to prevent moisture and dirt getting inside.

1. Remove the release liner and wrap the waterproof tape in a spiral around the plug and socket. Wrap the tape with enough tension to obtain conformability on the surface.
2. Overlap by at least half the width of the tapes so it bonds to itself, while removing the release liner. See Fig. 7.

##### 1.4 Fine tuning

1. Adjust the camera's viewing angle according to the illustrations of Fig. 8.
2. Loosen the screw on the bottom of the bracket by using a screwdriver.
3. Rotate the camera to make adjustments.
4. When satisfied with the picture coverage, retighten the screw  
**Note:** After adjusting the viewing angle, make sure the camera body is attached to the pivot of the bracket tightly. If it is loose, use one hand to hold the camera body steady, and with the other hand, use pliers to pinch the flat surfaces on the pivot. Swivel the pivot clockwise to tighten. See Fig. 9.

#### 2 Setting Up the Monitor

##### 2.1 Power Supply

The monitor uses either 10 C-size batteries or household AC current.

#### To Load Batteries

1. Open the battery compartment cover on the bottom of the monitor. See Fig. 10.
2. Insert 10 C-size batteries, making sure to match the positive (+) and negative (-) ends to the diagram inside the battery compartment. Please refer to Fig. 10.
3. Close the battery compartment cover. Make sure the battery compartment cover is locked securely.  
**Note 1:** Never mix old batteries with new ones.  
**Note 2:** Remove batteries from the camera if you do not plan to use it for a period of time.
4. Turn the monitor on. The LED on the front of the monitor should light. See Fig. 10.
5. Adjust the volume to a comfortable level.

#### Using AC Power

1. Plug one end of the provided power adapter into a wall outlet and the other end into the back of the monitor. See Fig. 11. **Note:** Use the adapter labeled OUTPUT: 13.5VDC with the monitor.
2. Turn the monitor on. The LED on the front of the monitor should light up. See Fig. 11.
3. Adjust the volume to a comfortable level.

##### 2.2 Fine Tuning

Adjust the video image using the V-HOLD, CONTRAST and BRIGHTNESS adjustment knobs on the back of the monitor, as needed.

### Other Applications

#### Recording on a VCR

1. The monitor comes with AV (audio/video) output jacks for connecting to a VCR for recording.
2. Connect the AV cable's (option) white and yellow plugs to the white and yellow AV jacks of the monitor and to the white and yellow input jacks of the VCR, matching the plug colors with the jacks on both the monitor and VCR. See Fig. 13.

#### PIR Motion Detection

The camera features a PIR motion detector which can automatically trigger the monitor when it senses motion. To turn on the motion detector function, press the PIR Motion Detector button on the monitor. Activate the beeper by sliding the PIR BEEPER switch to the ON position as needed. See Fig. 14.

#### Thermometer

The camera features a thermometer that displays the outdoor air temperature on the monitor. The temperature is displayed in C° or F°, depending on the setting of the temperature display format. When the Temperature Display Format switch is in the "ON" position, the temperature will be in C°. When in the "OFF" position, the temperature will be in F°. See Fig. 15.

#### Night Vision

The camera has eight high-intensity LEDs for picking up clear images in unlit locations. The LEDs are always lit.

### Troubleshooting

#### If you are not getting any signal at all

- Check the power on the camera and monitor.
- Make sure power plugs are pushed all the way in.
- Check the channel switches on both camera and monitor are set to the same number.
- If the camera/monitor is powered by batteries, replace all batteries with new ones.
- If you can receive sound, but don't have images, or the images are poor, check the SCREEN ON/OFF button on the front panel, or adjust the V-HOLD/CONTRAST/BRIGHTNESS knob on the back of the monitor.

#### If the signal is poor, or there is interference

- Change the channel settings on both camera and monitor and make them the same.
- If there is a microwave oven in use in the path between the camera and monitor, remove the microwave oven or turn it off.
- Make sure the camera and monitor are within range of each other (range of approximately 300 feet; 100 meters in a clear line of sight).

### Precautions

- Keep all its parts and accessories out of young children's reach.
- The camera's performance can be adversely affected by fingerprints or dirt on the lens surface. Avoid touching the lens surface with your fingers.
- Should the lens become dirty, use a blower to blow off dirt and dust, or a soft, dry cloth to wipe off the lens.
- Keep dry. Precipitation, humidity, and liquids, contain minerals that will corrode electronic circuits.
- Do not use or store in dusty, dirty areas.
- Do not store in hot areas. High temperatures can shorten the life of electronic devices and warp or melt certain plastics.
- Do not store in very cold areas. When the system warms up (to its normal temperature), moisture can form inside the case, which may damage electronic circuit boards.
- Do not attempt to open the case. Non-expert handling of the device may damage the system.
- Avoid dropping and strong impact.
- Operate this product using only the power supply included with it or provided as an accessory.
- Do not overload electrical outlets or extension cords as this can result in fire or electric shock.
- Do remember that you are using public airways when you use the system and that sound and video may be broadcast to other 2.4 GHz receiving devices. Conversations, even from rooms near the camera, may be broadcast. To protect the privacy of your home, always turn the camera off when not in use.

### Specifications

Camera	Monitor
Frequency 2.4 GHz	Frequency 2.4 GHz
Channels 12 selectable channels	Channels 12 selectable channels
A/V mod/demod. method FM	A/V mod/demod. method FM
Image Sensor 1/4" CMOS Image sensor	Display 2.5 inch B/W monor
Effective pixels EIA: 320(H) x 240(V) CCIR: 352(H) x 288(V)	Resolution at Center V: 350 lines H: 500 lines
Lens F3.6mm, F2.0	Sound max. output 800mw
Infrared LEDs 8 pieces	Dimensions 15(W) x 17(H) x 19(D) cm 18(W) without batteries
Weight 310g	Power DC 13.5V, 1000mA or 10 C-size batteries
Operating temperature -10°C ~ 40°C (14°F ~ 104°F)	Operating temperature 0°C ~ 40°C (32°F ~ 104°F)

Specifications subject to change without notice

#### FCC Statement

This equipment has been tested and found to comply with the limits for a Class B digital device, pursuant to Part 15 of the FCC Rules. These limits are designed to provide reasonable protection against harmful interference in a residential installation. This equipment generates, uses and can radiate radio frequency energy and, if not installed and used in accordance with the instructions, may cause harmful interference to radio communications. However, there is no guarantee that interference will not occur in a particular installation. If this equipment does cause harmful interference to radio or television reception, which can be determined by turning the equipment off and on, the user is encouraged to try to correct the interference by one or more of the following measures:

- Retract or relocate the receiving antenna
- Increase the separation between the equipment and receiver
- Connect the equipment into an outlet on a circuit different from that to which the receiver is connected
- Consult the dealer or an experienced radio/TV technician for help

**FCC Label Compliance Statement:** This device complies with Part 15 of the FCC Rules. Operation is subject to the following two conditions: (1) this device may not cause harmful interference, and (2) this device must accept any interference received, including interference that may cause undesired operation.

**Note:** The manufacturer is not responsible for any radio or TV interference caused by unauthorized modifications to this equipment. Such modifications could void the user's authority to operate the equipment.

## Français

### Ce que vous avez

- Une caméra
- Un moniteur
- Deux adaptateurs
- Support de fixation
- Ruban étanche
- Vis de fixation et chevilles de maçonnerie
- Manuel de l'utilisateur

**Remarque:** Les adaptateurs secteur NE PEUVENT PAS être échangés. Utilisez l'adaptateur marqué SORTIE: 9V DC avec la caméra. Utilisez l'adaptateur marqué SORTIE: 13.5V avec l'écran.

### Figures des produits

#### Caméra (Fig. 1)

1. Support de fixation
2. Vis de l'angle de fixation
3. Pivot
4. LED Infrarouges (Huit LED qui fournissent une lumière infra-rouge pour une vision de nuit)
5. Détecteur de mouvement PIR
6. Microphone
7. Lentille
8. Bouton de sélection des canaux (Sélectionnez le canal en tournant le bouton vers le numéro du canal que vous désirez configurer. **Remarque:** Vous devez choisir le même canal sur la caméra et sur le récepteur.)
9. Thermomètre
10. Câble électrique
11. Parenthèse De Gestion De Câble

#### Moniteur (Fig. 2)

1. Compartiment des piles
2. Contrôle d'alimentation/volume
3. Affichage a cristaux liquides D'Affichage De la Temperature
4. Bouton de sélection des canaux (Sélectionnez le canal en tournant le bouton vers le numéro du canal que vous désirez configurer. **Remarque:** Vous devez choisir le même canal sur la caméra et sur le récepteur.)
5. Bouton De Détecteur de mouvement PIR
6. Indicateur LED De Détecteur de mouvement PIR
7. Voyants d'indicateur de canaux
8. Antenne
9. Prise de l'adaptateur de courant 13.5V
10. Commutateur De Default Channel/Format D'Affichage De la Temperature/Signalur de PIR
11. Prise Audio (Blanche)
12. Prise Vidéo (Jaune)
13. Stabilité image (V-HOLD)
14. Luminosité (BRIGHT)
15. Contraste (CONT)

### Configuration

#### 1 Configuration de la caméra

##### 1.1 Sélection des canaux

Choisissez le canal sur la caméra en faisant glisser les commutateurs à l'arrière de la caméra, voir Fig. 3. (Retirez le couvercle en caoutchouc en bas de l'arrière de la caméra et faites basculer les commutateurs avec un tournevis.)

##### 1.2 Positionnement de la caméra

La caméra peut être fixée soit sur un mur ou à un plafond. La réception du moniteur doit être testée avant de fixer la caméra. Une personne peut maintenir la caméra dans la position prévue pendant qu'une autre vérifie la réception sur le moniteur. En cas d'interférence ou de problème, rappelez-vous à la section « Dépannage » de ce manuel. Il peut être nécessaire de sélectionner un emplacement différent pour installer la caméra.

1. Faites deux trous à 86 mm de distance et alignés, là où la caméra doit être installée.
  2. Fixez la caméra au mur ou au plafond en utilisant les chevilles de maçonnerie et les vis de fixation fournies. Voir Fig. 4, 6.
- Remarque:** Le support a un trou, vous pouvez faire passer le câble de la caméra au travers du trou et l'insérer dans la fente à l'arrière du support, puis fixez la caméra au mur. Voir Fig. 5.
3. Sélectionnez un emplacement approprié pour faire un trou d'entrée pour le câble. Selon l'emplacement, ce peut être fait dans le mur de la maison ou au travers du cadre d'une porte ou d'une fenêtre.
  4. Faites passer le câble au travers du trou d'entrée. Il est recommandé d'utiliser un sac plastique pour protéger la fiche à l'extrémité du câble de la poussière et des dégradations. Tirez le reste du câble à l'intérieur.

##### 1.3 Alimentation

1. Connectez la prise de transformateur dans la prise d'entrée d'alimentation du câble de la caméra. Vérifiez que les prises sont enfoncées à fond.
2. Assurez-vous que les prises d'alimentation sont enfoncées à fond. Voir Fig. 7.

#### Comment utiliser le ruban étanche

Après avoir connecté la prise de l'adaptateur d'alimentation à la prise d'alimentation du câble de l'appareil photo, vous pouvez utiliser le ruban étanche fourni pour éviter à l'entrée de l'humidité et de la poussière.

1. Enlevez le support du ruban adhésif et enroulez le ruban autour de la prise et du récepteur. Enroulez le ruban avec une tension suffisante pour obtenir une couverture moulante de la surface.
2. Faites chevaucher le ruban d'au moins la moitié de sa largeur pour qu'il adhère à lui-même, tout en retirant la doublure. Voir Fig. 7.

##### 1.4 Optimisation

1. Ajustez l'angle de vision de la caméra selon les illustrations de la Fig. 8.
2. Desserrez la vis au-dessous du support avec un tournevis.
3. Faites tourner la caméra pour effectuer des ajustements.
4. Lorsque vous êtes satisfaits de la couverture de l'image, resserrez la vis.

**Remarque:** Après l'ajustement de l'angle de vue, assurez-vous que le corps de la caméra est fixé solidement au pivot du support. S'il est lâche, utilisez une main pour maintenir le corps de la caméra et avec l'autre main, utilisez des pinces pour serrer les surfaces plates sur le pivot, faites tourner le pivot dans le sens horaire pour serrer. Voir Fig. 9.

#### 2 Configuration du moniteur

##### 2.1 Alimentation

Le moniteur utilise soit 10 piles de taille C ou l'alimentation secteur AC.

#### Insérer les piles

1. Ouvrez le portillon du compartiment des piles dans les sens de la flèche. Voir Fig. 10.
2. Insérez les piles en faisant correspondre les signes (+) et moins (-) des piles et du diagramme situé à l'intérieur de l'emplacement pour les piles. Veillez vous reporter à la Fig. 10.
3. Refermez le portillon du compartiment des piles. Assurez-vous que le portillon est correctement fermé.  
**Remarque 1:** Ne mélangez jamais des piles usagées et des piles neuves.

**Remarque 2:** Retirez les piles de la caméra si vous ne comptez pas vous en servir pendant une longue période.

4. Mettez le moniteur sous tension. Le LED qui se trouve à l'avant du moniteur s'allume. Voir Fig. 10.
5. Ajustez les contrôles du volume à un niveau confortable.

#### Utilisation de l'alimentation AC

1. Branchez l'une des extrémités de l'adaptateur de courant fourni dans une prise murale, et l'autre extrémité à l'arrière du moniteur. Voir Fig. 11. **Remarque:** Utilisez seulement l'adaptateur libellé SORTIE: 13.5V DC avec le moniteur.
2. Mettez le moniteur sous tension. Le LED qui se trouve à l'avant du moniteur s'allume. Voir Fig. 11.
3. Ajustez les contrôles du volume à un niveau confortable.

##### 2.2 Optimisation

Ajustez l'image vidéo en utilisant les boutons d'ajustement STABILITÉ, CONTRASTE et LUMINOSITÉ qui se trouvent à l'arrière du moniteur.

### Autres applications

#### Enregistrer sur un magnéscope

1. Le moniteur est équipé de prises de sortie Audio/Vidéo pour une connexion avec un magnéscope qui enregistre.
2. Connectez les fiches blanche et jaune du câble audio/vidéo aux prises audio/vidéo blanche et jaune du moniteur, ainsi qu'aux prises d'entrée blanche et jaune du magnéscope, en faisant correspondre les couleurs des fiches avec les couleurs des prises sur le moniteur et sur le magnéscope. Voir Fig. 13.

#### Détecteur de mouvement PIR

La caméra comporte un détecteur de mouvement PIR intégré déclenche automatiquement le moniteur lorsqu'il détecte du mouvement. Pour allumer la fonction de détecteur de mouvement, appuyez sur le bouton de détecteur de mouvement PIR sur le moniteur. Voir Fig. 14.

#### Thermomètre

La caméra comporte un thermomètre qui montre la température de l'air extérieur sur le moniteur. La température est montrée dans le C° ou F°, selon l'arrangement du format d'affichage de la température. Quand le commutateur de format d'affichage de la température est dans le "ON" position, la température sera dans C°. Quand dans le "OFF" la position, la température sera dans F°. Voir Fig. 15.

#### Vision de Nuit

La caméra est équipée de huit LED de haute intensité pour pouvoir recueillir des images des endroits sombres. Les LEDs sont toujours allumées.

### Dépannage

#### Si vous n'avez aucun signal

- Vérifiez que la caméra et le moniteur sont sous tension.
- Assurez-vous que les prises de courant sont enfoncées jusqu'au bout.
- Vérifiez que les sélecteurs de canaux de la caméra et du moniteur sont configurés sur le même chiffre.
- Si la caméra/le moniteur sont sur piles, remplacez toutes les piles avec des piles neuves.
- Si vous pouvez recevoir du son, mais aucune image, ou bien que les images sont de mauvaise qualité, vérifiez le bouton Allumé/Eteint du panneau de face, ou ajustez le bouton STABILITÉ/CONTRASTE/LUMINOSITÉ à l'arrière du moniteur.

**Si le signal est de mauvaise qualité, ou qu'il y a des interférences**

- Changez le canal de la caméra et du récepteur et assurez-vous

## Español

## Contenido del paquete

- Una Cámara
- Un Monitor
- Dos Adaptadores de Corriente
- Soporte de Montaje
- Cinta a prueba de agua
- Tornillos de fijación y bujes
- Este Manual del Usuario

***Nota**: Los adaptadores AC de corriente NO DEBEN ser intercambiados. Use sólo el adaptador etiquetado SALIDA: 9VDC con la cámara. Use sóloel adaptador etiquetado SALIDA: 13.5V DC con el monitor.*

## Diseño del Productor

**Cámara (Fig. 1)**

- Soporte de Montaje
- Tornillo de Fijación de Ángulo
- Pivote
- LEDs Infrarrojos (Ocho LEDs proporcionan luz infrarroja para visión nocturna.)
- Detector de movimiento PIR
- Microfono
- Objetivo
- Selector de Canal (Seleccione el canal al correr la tecla deslizadora hastael número de canal que quiere. ***Nota***: Debe seleccionar en mismo canal para la cámara y el monitor.)
- Termómetro
- Cable De Transmisión
- Soporte De la Gerencia Del Cable
- Cuerpo del objetivo
- Microfono
- Agujeros de montaje
- Compartimento para Baterías
- LED Indicador de Corriente
- APAGADO/ENCENDIDO/NOCTURNO (OFF/ON/NIGHT, Tecla APAGADO/ENCENDIDO y ENCENDIDO VISION NOCTURNA.)
- Selector de Canal (Seleccione el canal al correr la tecla deslizadora hastael número de canal que quiere. ***Nota***: Debe seleccionar en mismo canal para la cámara y el monitor.)

- Enchufe Adaptador de Corriente 9V

**Monitor (Fig.2)**

- Compartimento para Baterías
- Control de Alimentación Eléctrica / Volumen
- Exhibición Led De la Temperatura
- Selector de Canal (Seleccione el canal al correr la tecla deslizadora hastael número de canalque quiere. ***Nota***: Debe seleccionar en mismo canal para la cámara y el monitor.)
- Boton Del Detector Del Movimiento PIR
- Indicador LED De la Deteccion Del Movimiento PIR
- Indicadores LED de canal
- Antena**
- Enchufe Adaptador de Corriente 13.5V
- Interruptor Del Canal Del Defecto/Tamaño De Representacion De la Temperatura/Beeper de PIR
- Clavija de Audio (Blanca)
- Clavija de Video (Amarilla)
- V-MANTENER (V-HOLD)
- BRILLO (BRIGHT)
- CONTRASTE (CONT)

## Instalación

### 1 Instalación de la Cámara

#### 1.1 Seleccionar Canales

Seleccione el canal en la cámara mediante los interruptores deslizantes localizados en la parte posterior, vea la Fig. 3. (Remueva el tapon de plastico en la parte inferior al reverso de la camara, deslize los interruptores utilizando un destornillador).

#### 1.2 Montaje de la cámara

La cámara puede instalarse en unapared o en el techo. La recepción del receptor debe probarse antes de fijar la cámara. Mientras una persona mantiene la cámara en la posiciónde montaje deseada, la otra prueba la recepción en una TV. Si hayinterferencia u otros problemas, consulte la sección “Solución de Problemas” en este manual. Puede que sea necesario ubicar la cámara en otro local.

- Taladre dos agujeros separados 86mm, en la posición de montaje de la cámara.
- Sujete la cámara en lapared o al techo usando lostornillos y bujes suministrados. Vea la Fig. 4, 6.

***Nota***: Hay un agujero en el soporte, puede tender el cable desde la cámara a través de ese agujero e insertarlo en la ranura en la parte trasera del soporte y luego sujetar la cámara a la pared. Vea la Fig. 5.

3. Seleccione un local apropiado para taladrar un agujero de entrada del cable. Dependiendo de la ubicación, esto podría ser a través de la pared de la casa o a través de un marco de puerta o de ventana.

4. Introduzca el cable a través delagujero de entrada. Se recomienda usar una bolsa deplástico para proteger el enchufe macho en la extremidad del cabo contra el polvo y daños. Tire del resto del cable hacia adentro.

#### 1.3 Fuente de Alimentación

- Conecte el enchufe el adaptador de corriente en el enchufe Entrada de Corriente de la cámara. Asegúrese de que los enchufes de energía estén totalmente insertados.
- Assurez-vous que les prises d'alimentation sont enfoncées à fond. Voir Fig. 7.

#### Cómo utilizar la cinta impermeable

Después de conectar el enchufe del adaptador de corriente al enchufe Entrada de Corriente de la cámara, puede usar la cinta impermeable suministrada para prevenir que entre humedad y suciedad.

- Remueva el forro protector y envuelva la cinta impermeable en una espiral alrededor del conector y el enchufe. Envuelva la cinta con fuerza suficiente para que tome la forma de la superficie.
- Coloque como mínimo una mitad más de la anchura de la cinta para que se adhiera a si misma, mientras que el papel protector. Ver Fig. 7.

#### 1.4 Sintonía Fina

- Ajuste el ángulo de visión de la cámara conforme a los diagramasen la Fig. 8.
- Afloje el tornillo en el fondo del soporte usando un destornillador.
- Gire la cámara para hacer los ajustes.
- Cuando esté satisfecho con la cobertura de la imagen, vuelva a apretar el tornillo.

***Nota***: Después de ajustar el ángulo de visión, asegúrese de que el cuerpo de la cámara esté fijado al pivote del soporte firmemente. Si está flojo, use una mano para sujetar el cuerpo de la cámara con firmeza, y con la otra mano, use alicates para agarrar las superficies planas en el pivote. Gire el pivote en dirección a las agujas del reloj para apretar. Ver Fig 9.

### 2 Instalación del monitor

#### 2.1 Fuente de Energía

El monitor emplea pilas tamaño 10 C o alimentación eléctrica CA doméstica.

#### Cargar las Baterías

- Abra la tapa del compartimento de baterías en la dirección indicada por la lecha. Vea la Fig. 10.
- Inserte las pilashaciendo coincidir los signos (+) y menos (-) según el esquema dentro del compartimento de las pilas. Vea la Fig. 10.
- Cierre la tapa del compartimento de baterías. Asegúrese de que la tapa del compartimento de baterías está cerrada correctamente.
  - Nota 1***: Nunca mezcle baterías viejas con baterías nuevas.
  - Nota 2***: Remueva las baterías de la cámara si no planea usarla por un período de tiempo.
- Encienda el monitor. El LED en la parte frontal del monitor debe permanecer iluminado. Vea la Fig. 10.
- Ajuste el volumen a un nivel que le agrade.

#### Usar Corriente AC

- Enchufe un extremo del adaptador de corriente en la ficha de corriente de la pared y el otro extremo en la parte posterior del monitor. Vea la Fig. 9. ***Nota***: Use sólo el adaptador etiquetado SALIDA: 13.5V DC con el monitor.
- Encienda el monitor. El LED en la parte frontal del monitor debe permanecer iluminado. Vea la Fig. 11.
- Ajuste el volumen a un nivel que le agrade.

### 2.2 Sintonía Fina

Ajuste la imagen de video usando los desviadores para ajustar V-MANTENER, CONTRASTE y BRILLO en la parte posterior del monitor, según sea necesario.

## Otras aplicaciones

### Grabar con una VCR

- El monitor viene con clavijas desalida para Audio/Video para conectar a la VCR al grabar.
- Conecte los enchufes del cable blanco y amarillo para audio/video a las clavijas blanca y amarilla para audio/video del monitor, y a las clavijas de entrada blanca y amarilla de la VCR, coincidiendo el color de los enchufes con el color de las clavijas tanto en el monitor como en la VCR. Vea la Fig. 13.

### Detector de movimiento PIR

La camara fotografica ofrece un detector del movimiento de PIR que pueda accionar automaticamente el monitor cuando detecta el movimiento. Para girar la funcion del detector del movimiento, presione el botondel detector del movimiento de PIR en el monitor. Active el beeperresbalando el interruptor del BEEPER de PIR hacia la posicion de trabajo segun lo necesitado. Vea la Fig. 14.

### Termómetro

La camara fotografica ofrece un termometro que exhiba temperatura del aire al aire libre en el monitor. La temperatura se exhibe en el ° de C° or F, dependiendo del ajuste del tamaño de representación de la temperatura. Cuando el interruptor del tamaño de representación de la temperatura esta en el "ON" la posición, la temperatura estará en C°. When in the "OFF" position, the temperature will be in F°. Vea la Fig. 15.

### Visión Nocturna

La camara fotografica tiene ocho LED de alta intensidad para escoger encima de imagenes claras en localizaciones del unlit.Los LED se encienden siempre..

## Resolviendo Problemas

**Si no obtiene señal alguna**

- Verifique el encendido en la cámara y el monitor.
- Asegúrese de que los enchufes de corriente han sido insertados hasta el final.
- Verifique que el desviador de CANALES tanto en la cámara como en el monitor están definidos en el mismo número.
- Si la cámara/monitor está alimentados por baterías, reemplace todas las baterías por otras nuevas.
- Si puede recibir sonido, pero no tiene imágenes, o las imágenes son pobres, verifique el botón PANTALLA ENCENDIDA/APAGADA en el panel frontal, o ajuste el desviador V-MANTENER/CONTRASTE/BRILLO en la parte posterior del monitor.

**Si la señal es pobre, o hay interferencia**

- Cambie la definición de canal tanto en la cámara como en el monitor y colóquelos en el mismo número.
- Si hay un horno microondas en uso en el camino entre la cámara y el monitor, remueva el horno microondas o apáguelo.
- Asegúrese de que la cámara y el monitor están dentro de la distancia recomendada (distancia de aproximadamente 300 pies, 100 metros sin obstrucciones).

## Precauciones

- Mantenga todas sus piezas y accesorios lejos de los niños.
- El rendimiento de la cámara puede ser afectada por huellas digitales o suciedad en la superficie de la lente. Evite tocar la superficie de la lente con sus dedos.
- Para limpiar el objetivo use un soplador o un paño blando y seco.
- Mantenga seco. Precipitación, humedad y líquidos contienen minerales que corroen los circuitos electrónicos.
- No use ni almacene en locales sucios o polvorientos.
- No almacene en locales calientes. La alta temperatura puede reducir la duración de los dispositivos electrónicos e deformar o derretir los plásticos.
- No almacene en locales excesivamente fríos. Cuando el aparato se calienta (hasta su temperatura normal), la humedad se forma en el interior de la caja, lo que puede dañar los circuitos electrónicos.
- No intente abrir la caja. Este dispositivo puede dañarse con el manejo por personas no expertas.
- Evite dejar caer o causar fuertes impactos.
- Use este producto usando solamente la fuente de alimentación u otros accesorios suministrados.
- No sobrecargue los tomacorrientes o las extensiones. Esto puede causar incendio o choque eléctrico.
- Tengasiempre en cuenta que está utilizando la banda de uso público general al usar el sistema y que el sonido y el video pueden ser transmitidos a otros dispositivos receptores de 2,4 GHz. Conversaciones, aun de una sala a otra cerca de la cámara pueden ser transmitidas. Para proteger la privacidad de su casa, apague la cámara cuando no está en uso.

## Deutsch

## Was Sie erhalten

- Eine Kamera
- Ein Monitor
- Zwei Netzteile
- Befestigungshalterung
- Wasserfestes Band
- Befestigungsschrauben und Dübel
- Dieses Benutzerhandbuch

***Hinweis***: Die Netzteile KÖNNEN NICHT vertauscht benutzt werden. Benutzen Sie das Netzteil, das mit OUTPUT: 9VDC bezeichnet ist, nur für die Kamera. Benutzen Sie das Netzteil, das mit OUTPUT: 13.5VDC bezeichnet ist nur für den Monitor.

## Produkt-Layout

**Kamera (Fig. 1)**

- Befestigungshalterung
- Schraube zum Fixierendes Winkels
- Drehzapfen
- Infraro-LEDs (Acht LEDs für Infrarotlicht bei Nachtaufnahmen)
- PIR Bewegung Detektor
- Mikrofon
- Objektiv
- Schalter für Kanalauswahl (Wählen Sie einen Kanal, indem Sie den Schieber auf die Nummer des gewünschten Kanals schieben. ***Hinweis***: Sie müssen für die Kamera und den Receiver den gleichen Kanal auswählen.)
- Thermometer
- Energie Kabel
- Kabel-Management-Haltewinkel

**Monitor (Fig.2)**

- Batteriefach
- Ein/Aus/Lautstärkenregelung
- Temperatur-Anzeige LCD
- Schalter für Kanalauswahl (Wählen Sie einen Kanal, indem Sie den Schieber auf die Nummer des gewünschten Kanals schieben. ***Hinweis***: Sie müssen für die Kamera und den Receiver den gleichen Kanal auswählen.)
- PIR Bewegung Detektor-Taste
- PIR Bewegung Abfrage AnzeigeLED
- Führung Anzeige LED
- Antenne
- 13.5V Netzteilanschluss l
- Rückstellung Channel/Temperatur Anzeige Format/PIR Signalgeber-Schalter
- Audio-Buchse (Weiß)
- Video-Buchse (Gelb)
- V-HOLD
- HELLIGKEIT (BRIGHT)
- KONTRAST (CONT)

## Einrichtung

### 1 Einstellen der Kamera

#### 1.1 Die Kanäle wählen

Den Kanal in der Kamera wählen, indem Sie den Gleitschalter auf der Rückseite dieser Kamera verschieben; siehe Abb. 3. (Entfernen Sie den Gummistöpsel auf der Unterseite der Rückseite der Kamera und bewegen Sie die Schalter mit Hilfe eines Schraubendrehers.)

#### 1.2 Befestigung der Kamera

Die Kamera kann entweder an einer Wand oder einer Decke befestigt werden. Der Montierepmlang sollte getestet werden, bevor die Kamera vor Ort befestigt wird. Dabei sollte eine Person die Kamera an der beabsichtigten Befestigungsposition halten, während eine andere Person den Empfang an Monitor überprüft. Wenn Störungen oder andere Probleme auftreten sollten, sehen Sie den Abschnitt „Problembehebung“ in diesem Handbuch. Sie müssen u. U. einen anderen Ort für die Befestigung der Kamera wählen.

- Bohren Sie an der gewünschten Position für die Kamera zwei Löcher auf einer Linie im Abstand von 86mm.
- Befestigen Sie die Kamera an der Wand oder der Decke mit Dübeln und den bereitgestellten Schrauben. Siehe Abb. 4, 6.

***Hinweis***: In der Befestigungshalterung gibt es ein Loch, durch das Sie das Kabel der Kamera stecken können. Führen Sie das Kabel dann durch die Rille auf der Rückseite der Halterung und befestigen die Kamera an der Wand/Decke. Siehe Abb. 5.

- Wählen Sie einen geeigneten Ort zum Bohren des Lochs, durch das Sie das Kabel durch Hauswand, Tür oder Fensterrahmen etc. führen können.
- Führen Sie das Kabel durch das Loch. Der Stecker sollte dabei mit einer Plastiktüte vor Staub und Beschädigung geschützt werden. Ziehen Sie das ganze Kabel durch das Loch.

### 1.3 Stromversorgung

- Den Stecker des Netzadapters mit der Power-In-Buchse des Kabels von der Kamera anschließen. Dabei sicherstellen, daßder Stecker vollständig eingesetzt wird.
- Den WS-Adapter an eine Wandsteckdose anschließen. Siehe Abb. 7.

### Das wasserfeste Band verwenden

Nach dem Verbinden des Steckers des Netzadapters mit der Power-In-Buchse des Kabels von der Kamera benutzen Sie das mitgelieferte wasserfeste Band zum Schutz gegen Feuchtigkeit und Schutz.

- Das Deckpapier entfernen und das wasserfeste Band spiralförmig um den Stecker und die Buchse wickeln. Ziehen Sie beim Umwickeln dieses Band genügend fest an, um die Oberfläche regelmäßig und gut abzudecken.
- Lassen Sie das Band mindestens um die Hälfte bei jeder Umwicklung überlappen, um ein festes Anhaften sicherzustellen, währenddem Sie das Deckpapier entfernen. Siehe Abb. 7.

#### 1.4 Feineinstellung

- Den Sichtwinkel der Kamera wie in der Abbildung 8 gezeigt justieren.
- Die Schrauben auf der Unterseite der Konsole mit einem Schraubendreher lösen.
- Zum Ausführen der Einstellungen die Kamera rotieren.
- Nach Erreichen einer zufriedenstellenden Einstellung die Schraube wieder festziehen.
- Hinweis***: Nach dem Einstellen des Sichtwinkels stellen Sie sicher, daß das Kameragehäuse fest am Drehzapfen der Konsole befestigt ist. Falls es lose ist, halten Sie das Kameragehäuse mit einer Hand fest und kneifen Sie die ebenen Oberflächen auf dem Drehzapfen mit einer Zange. Den Drehzapfen zum Festziehen in Uhrzeigerichtung drehen. Siehe Abb. 9.

### 2 Einrichten des Monitors

#### 2.1 Stromversorgung

Der Monitor benutzt 10 Batterien der Größe C odergewöhnlichen Netzstrom.

#### Einlegen der Batterien

- Öffnen Sie das Batteriefach in Pfeilrichtung. Siehe Fig. 10.
- Legen Sie die Batterien entsprechend der Markierungen für die Plus-(+) und Minus(-) Pole innerhalb des Batteriefachs ein. Bitte sehen Sie hierzu Fig. 10.
- Schließen Sie das Batteriefach fest zu.
  - Hinweis 1***: Verwenden Sie niemals alte und neue Batterien zusammen.
  - Hinweis 2***: Entfernen Sie die Batterien, wenn Sie die Kamera für eine längere Zeit nicht benutzen wollen.
- Schalten Sie den Monitor ein. Die LED auf der Vorderseite des Monitors sollte aufleuchten. Siehe Fig. 10.
- Stellen Sie die Lautstärke auf eine angenehme Höhe ein.

#### Benutzen von Netzstrom

- Stecken Sie das eine Ende des Netzteils in eine Netzsteckdose und das andere Ende in den Anschluss auf der Rückseite des Monitors. Siehe Fig. 11. ***Hinweis***: Benutzen Sie das Netzteil, das mit OUTPUT: 13.5V DC bezeichnet ist, nur für den Monitor.
- Schalten Sie den Monitor ein. Die LED auf der Vorderseite des Monitors sollte aufleuchten. Siehe Fig. 11.
- Stellen Sie die Lautstärke auf eine angenehme Höhe ein.

### 2.2 Feineinstellung

Stellen Sie das Videobild mit Hilfe der Schaltknöpfe V-HOLD, KONTRAST und HELBIGKEIT auf der Rückseite des Monitors ein.

## Andere Anwendungen

### Aufnahme aufeinen Videorecorder

- Der Monitor besitzt Audio/Video-Output-Buchsen zum Anschließen eines Videorecorders für die Aufnahme.
- Schließen Sie die weißen und gelben Stecker des Audio/Videokabels an die Audio/Video-Buchsen des Monitors und die Input-Buchsen des Videorecorders an, wobei die die Farben der Stecker mit den Farben der Buchsen übereinstimmen sollten. Siehe fig. 13.

### PIR Bewegung Detektor

Die Kamera kennzeichnet einen PIR Bewegung Detektor, der den Monitor automatisch auslösen kann, wenn er Bewegung abfragt. Um die Bewegung Detektorfunktion einzuschalten, betätigen Sie die PIR Bewegung Detektortaste auf dem Monitor. Aktivieren Sie den Signalgeber, indem Sie den PIR SIGNALGEBER-Schalter zur Arbeitsstellung schieben, wie gebraucht.Siehe Fig. 14.

### Thermometer

Die Kamera kennzeichnet einen Thermometer, der die im Freienlufttemperatur auf dem Monitor anzeigt. Die Temperatur wird C° or F °m , abhängig von der Einstellung des Temperaturanzeigerformats angezeigt. Wenn der Temperatur-Anzeigerformatschalter im "ON" ist; Position, die Temperaturist in C°. Wenn im "OFF" Position, die Temperaturist in F°. Siehe Fig. 15.

### Nachtsicht

Die Kamera hat acht IntensitätseL für die Ernte heraufreie Bilder inden unlit Positionen. Die LED werden immer beleuchtet.

## Problembehebung

**Wenn Sie kein Signal erhalten**

- Überprüfen Sie die Stromversorgung von Kamera und Monitor.
- Gehen Sie sicher, das alle Netzstecker korrekt eingesteckt sind.
- Gehen Sie sicher, dass die Kanal-Schalter auf der Kamera und dem Monitor auf den gleichen Kanal eingestellt sind.
- Wenn Kamera/Monitor mit Batterien betrieben wird, ersetzen Sie die Batterien durch neue.
- Wenn Sie nur Ton und kein Bild empfangen, oder wenn die Bildqualität schlecht ist, überprüfen Sie den SCREEEN/OFF-Schalter auf der Vorderseite oder stellen den V-HOLD /KONTRAST/HELLIGKEIT-Knopf auf der Rückseite des Monitors ein.

**Wenn das Signal schlecht ist, oder es Störungen gibt**

- Wählen Sie einen anderen Kanal für die Kamera und den Monitor.
- Entfernen Sie ein Mikrowellengerät, wenn es sich zwischen Kamera und Monitor befindet, oder schalten Sie es aus.
- Gehen Sie sicher, dass der Abstand zwischen Kamera und Monitor nicht zu groß ist (maximal 100 Meter (300 feet) bei klarer Sicht).

## Vorsichtsmaßnahmen

- Halten Sie alle Teile und Zubehör außerhalb der Reichweite von Kindern.
- Die Kameraleistung kann durch Fingerabdrücke oder Schutz auf dem Objektiv beeinträchtigt werden. Vermeiden Sie das Berühren des Objektivs mit Ihren Fingern.
- Wenn das Objektiv verschmutzt ist, benutzen Sie ein Gebläse, um Schutz oder Staub wegzublasen, oder benutzen ein weiches trockenes Tuch zum Wischen.
- Halten Sie das Gerät trocken. Niederschlag, Feuchtigkeit und Flüssigkeiten, die Mineralien enthalten, können Rostbildung an elektronischen Kreislauf verursachen.
- Benutzen Sie die Geräte nicht an staubigen oder schmutzigen Orten oder bewahren sie dort auf.
- Setzen Sie die Geräte keiner Hitze aus. Hohe Temperaturen können die Lebenszeit elektronischer Geräte verkürzen und das Verformen oder Schmelzen von Kunststoffteilen verursachen.
- Setzen Sie das Gerät keiner extremen Kälte aus. Wenn sich die Einheiten (auf Ihre Normaltemperatur) erhitzen, kann es zu Feuchtigkeitsbildung innerhalb des Gehäuses kommen, was u. U. die elektronischen Platinen beschädigen kann.
- Versuchen Sie nicht, das Gehäuse zu öffnen. Das Gerät kann durch unaufmännische Behandlung beschädigt werden.
- Vermeiden Sie Fallenlassen oder starke Stöße.
- Betreiben Sie dieses Gerät nur mit der dafür vorgesehenen Stromversorgung oder bereitgestelltem Zubehör.
- Vermeiden Sie das Überbelasten von Netzsteckdosen oder Verlängerungskabeln, da dies zu Feuer oder elektrischem Schlag führen kann.
- Denken Sie daran, dass Sie öffentliche Wellenlängen benutzen, wenn Sie das System verwenden, und dass Ton und Video zu anderen 2,4 GHz-Empfangsgeräten übertragen werden kann. Unterhaltungen, selbst in der Nähe der Kamera, können übertragen werden. Schalten Sie zum Schutz Ihrer Privatsphäre Ihre Kamera immer aus, wenn Sie sie nicht benutzen.

## Italiano

## Contenuto della scatola

- Una telecamera
- Un Monitor
- Due adattatori di corrente
- Staffa di montaggio
- Nastro resistente all'acqua
- Viti di fissaggio e tasselli a espansione
- Questo manuale d'uso

***Nota***: Gli adattatori AC NON si devono scambiare. Usare con la telecamera soltanto l'adattatore etichettato OUTPUT: 9V DC. Usare con il monitor esclusivamente l'adattatore etichettato OUTPUT: 13.5V DC.

## Descrizione del Prodotto

**Telecamera (Figura. 1)**

- Staffa di montaggio
- Vite di fissaggio angolare
- Perno
- LED a raggi infrarossi (Otto LED forniscono luce araggi infrarossi per la visione notturna.)
- Rivelatore di movimento PIR
- Microfono
- Obiettivo
- Interruttore di Selezione dei Canali (Selezionare il canale facendo scorrere l'interruttore a cursore sul numero di canale che si desidera. ***Nota***: Occorre selezionare lo stesso canale sulla telecamera e sul monitor.)
- Termometro
- Cavo elettrico
- Staffa Dell'Amministrazione Del Cavo

**Monitor (Figura. 2)**

- Comparto della Batteria
- Controllo Volume/Alimentazione
- LED Espansione LCDDi Temperatura
- Interruttore di Selezione dei Canali (Selezionare il canale facendo scorrere l'interruttore a cursore sul numero di canale che si desidera. ***Nota***: Occorre selezionare lo stesso canale sulla telecamera e sul monitor.)
- Tasto del rivelatore di movimento PIR
- LED di rilevazione di movimento PIR
- LED canali
- Antenna
- Spina Adattatore di Corrente da 13.5V
- Interruttore Del Sistema di teleguida Dell'Esposizione Format/PIR Di Difetto Channel/Temperature
- Pressa Audio (Bianca)
- Pressa Video (Gialla)
- V-HOLD
- LUMINOSITA (BRIGHT)
- CONTRASTO (CONT)

## Installazione

### 1 Configurazione della telecamera

#### 1.1 Selezionare I canali

Selezionare il canale della telecamera scorrendo sugli interruttori a scorrimento sul retro della telecamera, vedere Fig. 3. (Rimuovere la spina di gomma sul fondo del retro della telecamera, fare scorrere gli interruttori usando un cacciavite)

### 1.2 Posizionamento della telecamera

La telecamera può essere montata a parete o a soffitto. Verificare la capacità di ricezione del monitor prima di installare la telecamera in posizione. Occorre che una persona sorregga la telecamera nella posizione di montaggio prescelta, mentre un'altra persona verifica la ricezione sul monitor. Se verificano interferenze o altri inconvenienti, consultare la sezione "Soluzione dei problemi" di questo manuale. Potrebbe essere necessario scegliere un'altra posizione per il montaggio della telecamera.

- Aprire due fori alla distanza di 86mm l'uno dall'altro, in linea retta, in corrispondenza della posizione di montaggio della telecamera.
- Fissare la telecamera alla parete o al soffitto mediante itasselli a espansione e le viti di fissaggio in dotazione. Vedere la figura 4, 6.
- Nota***: nella staffa di montaggio vi è un foro; possibile far passare il cavo della telecamera attraverso il foro e sistemarlo nella scanalatura presente dietro la staffa, quindi fissare la telecamera alla parete. Vedere la figura 5.
- Scegliere una posizione adatta in cui aprire un foro per l'ingresso del cavo. Secondo i casi, si può praticare il foro su una parete o sul telaio di una porta od una finestra.
- Spingere il cavo attraverso l'apposito foro d'ingresso. Si raccomanda di usare un involucre di plastica per proteggere la spina, all'estremità del cavo, da polvere e danneggiamenti. Tirare verso l'interno il resto del cavo.

### 1.3 Alimentazione

- Collegare la spina dell'adattatore di corrente nella presa di Power In del cavo dalla telecamera. Assicurarsi che le prese siano saldamente in posizione.
- Collegare l'adattatore AC alla presa a muro. Vedere Fig. 7.

#### Uso del nastro resistente all'acqua

Dopo aver collegato la spina dell'adattatore di corrente con lo spinotto del cavo della fotocamera, è possibile utilizzare il nastro resistente all'acqua fornito in dotazione per evitare l'introduzione di umidità e sporcizia.

- Rimuovere l'imballo e avvolgere il nastro in spirale attorno alla spina ed alla presa. Avvolgere il nastro con tensione sufficiente per avere conformità sulla superficie.
- Durante la rimozione dell'adesivo di fissaggio, sovrapporre almeno la metà della larghezza del nastro in modo che rimanga ben fisso. Vedere la figura 7.

#### 1.4 Sintonizzazione

- Regolare l'angolo di visualizzazione della telecamera in accordo alle illustrazioni di Fig. 8.
- Allentare la vite alla base della staffa servendosi di un cacciavite.
- Ruotare la telecamera per effettuare degli aggiustamenti.
- Quando si è soddisfatti della copertura d'immagine offerta dalla telecamera, serrare nuovamente la vite.

***Nota***: dopo avere regolato l'angolo visuale, assicurarsi che il corpo della telecamera sia fissato saldamente al perno della staffa. Se è allentato, tenere fermo il corpo della telecamera con una mano e con l'altra mano usare un paio di pinze per tenere le superfici piatte ferme sul perno, quindi ruotare il perno in senso orario per stringerlo. Vedere la figura 9.

### 2 Configurazione del monitor

#### 2.1 Alimentazione

Il monitor viene alimentato da batterie 10 C o da corrente CA.

#### Per mettere le batterie