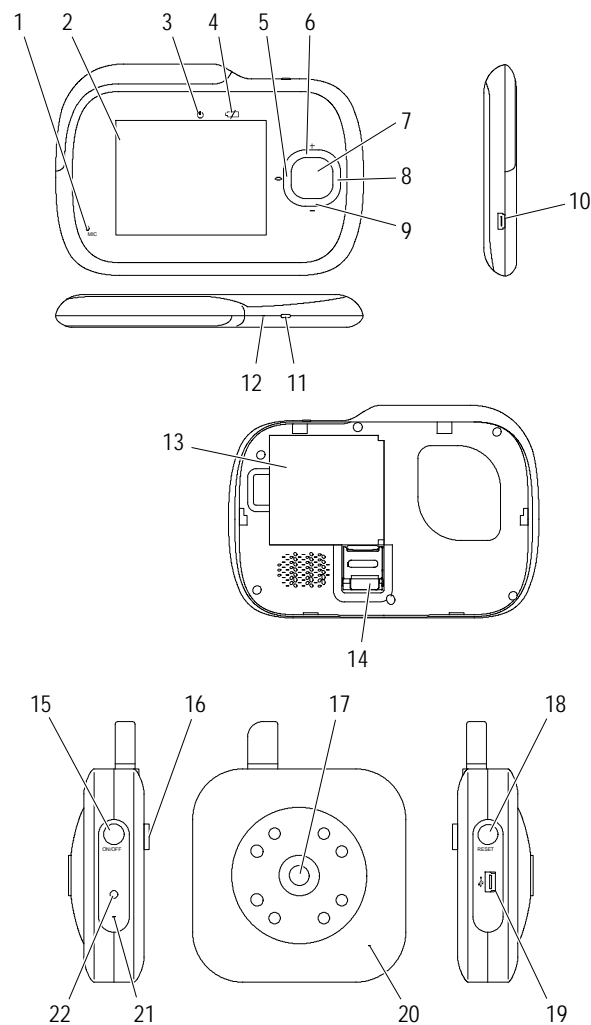


# SWITEL

## Baby Monitor BCF 910



ENGLISH

## Operating manual

Please read and observe the following information and keep the operating manual nearby for future reference!

## Safety information

**WARNING!**

- Risk of fatal injury through cable!  
Children could become entangled in the cables and strangle themselves.  
➔ Ensure that the baby monitoring units and power cables are out of reach of babies/children, i.e. they are at least one meter away.
- Risk of explosion!  
➔ Only use the power adapter plugs supplied!  
➔ Only use batteries supplied or ones of the same type!  
➔ Always treat batteries with due care and attention and only use batteries as described.  
➔ Never use standard and rechargeable batteries together. Never use rechargeable batteries or standard batteries with

different capacities or charge statuses together. Never use standard or rechargeable batteries which are damaged.

- Risk of suffocation through small objects, packaging and protective foil!  
➔ Keep children away from the product and its packaging!

**CAUTION!**

- Risk of fire through power adapter plugs!  
Power adapter plugs can heat up.  
➔ Never leave any objects on the power adapter plugs. Ensure access to power adapter plugs is not obstructed by furniture or such.
- Risk of tripping due to improperly laid cable!  
➔ Lay the cables so that nobody can trip over them!
- Risks to health and the environment from batteries!  
➔ Never open, damage or swallow batteries or allow them to pollute the environment. They could contain toxic and ecologically harmful heavy metals.

## Intended use

The baby monitor serves to monitor a baby/child in a room. The transmitter unit, located near the child, transmits noises and images from its immediate vicinity to the receiver unit. Any other use is considered unintended use. Unauthorised modification or reconstruction is not permitted. Under no circumstances open the devices or complete any repair work yourself.

The devices are not intended for medical purposes. Warning and signal tones from respiratory or heartbeat monitoring equipment are not transmitted.

## Use only in suitable environments

Observe all local directives and regulations. Prevent excessive exposure to smoke, dust, vibration, chemicals, moisture, heat and direct sunlight.

## Package contents

- Receiver unit
- Transmitter unit
- Cradle for receiver unit
- Base for transmitter unit
- Battery for receiver unit
- 2 power adapter plugs
- USB cable
- Operating manual

## Operating elements

### Receiver unit

- 1 Microphone
- 2 Display
- 3 Operation indicator
- 4 Charge indicator
- 5 **Left** button (Talk / Menu navigation)
- 6 **Top** button (Volume adjustment / Camera selection / Menu navigation)
- 7 **Menu** button
- 8 **Right** button (Photo / Record / Menu navigation)
- 9 **Bottom** button (Volume adjustment / Camera selection / Menu navigation)
- 10 USB connection / Power adapter connection
- 11 **On/Off** button (ESC / Split screen)
- 12 **RESET** button
- 13 Battery compartment
- 14 Micro SD card (not included)

### Transmitter unit

- 15 **ON/OFF** button
- 16 Thread for base
- 17 Camera
- 18 **RESET** button
- 19 USB connection / Power adapter connection
- 20 Microphone
- 21 Only for firmware update
- 22 Operation indicator / Charge indicator

## Display and explanation of operations

- Action to take
- Result of action
- [2] Reference in the graphic
- RESET** Press the button
- 5 sec. Press and hold the button
- 5 sec. Keep the button pressed the button for 5 seconds
- Select the subsequent menu option with the Navigation buttons **Left** [5], **Top**
- [6], **Right** [8] or **Bottom** [9] and confirm the selection by pressing the **Menu** button [7].
- Volume** Represents the appearance of a menu option
- Represents an icon in the display

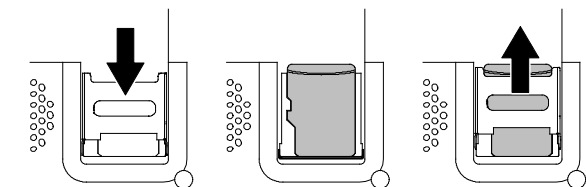
## Inserting the battery in the receiver unit

- ➔ Slide the cover on the rear downwards and remove it.
- ➔ Insert the rechargeable battery in the battery compartment.
- ➔ Close the battery compartment.

The battery must be charged for at least 8 hours before being used for the first time.

## Inserting the micro SD card in the receiver unit

In order to record videos or pictures, a micro SD card [14] must be inserted (not included).



- ➔ Slide the holder downwards, carefully. ➔ The holder is unlocked.
- ➔ Open out the holder.
- ➔ Insert the micro SD card [14].
- ➔ Close the holder.
- ➔ Slide the holder upwards, carefully. ➔ The holder is locked.

## Using the base for the transmitter unit

The base enables the camera [17] to be aligned accurately. The base can also be used to install the transmitter unit on a wall or the ceiling.

- ➔ Screw the screw in the base in the thread [16] on the rear side of the transmitter unit.
- ➔ Align the camera [17].
- ➔ Fix the alignment using the screw at the rear of the base.

## Starting up the transmitter unit

The transmitter unit is equipped with a built-in battery. The unit can be powered by the integrated battery, by a normal mains power supply via the power adapter plug or by a USB connection on a computer.

## Connecting the transmitter unit via the power adapter plug

- ➔ Connect the power adapter plug to the power connection [19] on the transmitter unit and a properly installed mains power outlet. ➔ The transmitter unit is switched on automatically.

## Connecting the transmitter unit via the USB

- ➔ Connect the USB cable to the power adapter connection [19] on the transmitter unit and a free USB port on the computer. ➔ The transmitter unit is switched on automatically.

The USB cable only serves to charge the battery. It does not serve for data transfer.

## Switching the transmitter unit on/off

The transmitter unit continues to transmit even when the receiver unit is switched off. The signals can be received by other devices.

- ➔ **ON/OFF** [15] 5 sec. ➔ The transmitter unit is switched on.
- ➔ **ON/OFF** [15] 5 sec. ➔ The transmitter unit is switched off.

## Operation/Charge indicator on the transmitter unit

Operation/Charge indicator [22] lights up green. ➔ The unit is switched on, the battery is charged.

Operation/Charge indicator [22] flashes green. ➔ The unit is switched on, the battery is being charged.

Operation/Charge indicator [22] lights up red. ➔ The unit is switched on, the battery must be charged.

Operation/Charge indicator [22] flashes red. ➔ The unit is switched off, the battery is being charged.

## Starting up the receiver unit

The unit can be powered by the battery, by a normal mains power supply via the power adapter plug or by a USB connection on a computer.

## Connecting the receiver unit via the power adapter plug

- ➔ Connect the power adapter plug to the power adapter connection [10] on the receiver unit and a properly installed mains power outlet. ➔ The receiver unit is switched on automatically.

## Connecting the receiver unit via the USB cable

- ➔ Connect the USB cable to the USB connection [10] on the receiver unit and a free USB port on the computer. ➔ The receiver unit is switched on automatically.

The USB cable only serves to charge the battery. It does not serve for data transfer.

## Switching the receiver unit on/off

- ➔ **On/Off** [11] 5 sec. ➔ The receiver unit is switched on. The start screen appears in the display.
- ➔ **On/Off** [11] 5 sec. ➔ The receiver unit is switched off.

## Operation and charge indicators on the receiver unit

Operation indicator [3] lights up. ➔ The unit is switched on. Charge indicator [4] lights up. ➔ The battery is charged. Charge indicator [4] flashes. ➔ The battery is being charged.

## Icons in the display

➔ High signal strength.

➔ Low signal strength.

➔ No signal.

The equipment has a range of up to 200 m. The range can be reduced by obstructions, such as walls etc. Electronic equipment in the vicinity can also cause disturbance.

➔ Alarm clock or feed alarm is switched on.

➔ Battery is fully charged.

➔ Battery is empty.

If the bars run through the battery icon, the battery is being charged.

## Split screen

Up to four transmitter units can be registered on the receiver unit. The split screen function can be used to display all (four) pictures from the transmitter units registered.

- ➔ Press **On/Off** [11] briefly. ➔ Switch between full screen and split screen.

## Talk function

- ➔ **Left** [5] ➔ Voice communication is possible from the receiver unit to the transmitter unit.

## Photo function

In order to take a photo, a micro SD card (not included) must be installed in the receiver unit.

- ➔ **Right** [8] ➔ Photo is saved on the micro SD card.

All the photos taken in one day are stored in a separate folder.

## Night vision function

If the brightness of the area monitored no longer suffices for normal operation, the equipment automatically switches to night vision.

When the night vision function is activated, only objects up to 2 m away can be viewed. The display only provides a black and white image.

## Settings using the menu

The menu can be used to execute various functions and define diverse settings. All the settings are confirmed by pressing the **Menu** button [7]. Skip back in the menu levels by pressing the **On/Off** button [11].

- ➔ **Menu** [7] ➔ Open the menu.

## Setting the volume

- ➔ **Volume**.
- ➔ **Top** [6] or **Right** [8] ➔ Raise the volume.
- ➔ **Bottom** [9] or **Left** [5] ➔ Lower the volume.

## Setting the brightness

- ➔ **Brightness**.
- ➔ **Top** [6] or **Right** [8] ➔ Increase the brightness.
- ➔ **Bottom** [9] or **Left** [5] ➔ Reduce the brightness.

## Selecting the picture section

- ➔ **Zoom In**.
- ➔ **Top** [6] or **Bottom** [9] ➔ Select the picture section.

## Select the language

- ➔ **Language**.
- ➔ **Top** [6] or **Bottom** [9] ➔ Select the language.

## Registering/Deregistering transmitter units

- ➔ **Register Camera**.

An icon indicates whether a transmitter unit is registered at positions **Camera 1** to **Camera 4**. Thumbs up. ➔ Transmitter unit is registered.

## Registering a transmitter unit

Registration is only possible at a free position, e.g. **Camera 2**.

- ➔ **Register Camera** ➔ **Camera 2** ➔ **Yes**
- ➔ **Register Camera 2?**
- ➔ Press **ON/OFF** [15] on the transmitter unit.

## Deregistering a transmitter unit

E.g. **Camera 2**.

- ➔ **Register Camera** ➔ **Camera 2** ➔ **Yes**
- ➔ **Camera 2 unregistered**.

## Selecting a transmitter unit

If several transmitter units are registered, a transmitter unit can be selected manually or the screen can switch units automatically at preset intervals.

## Selecting a transmitter unit manually

Example **Camera 2**.

- ➔ **Camera Selection** ➔ **Manual Selection** ➔ **Camera 2**.

## Changing transmitter units automatically

Example: every 20 seconds.

- ➔ **Camera Selection** ➔ **Auto Scan** ➔ **20 seconds**.

## Deactivating changing transmitter units automatically

- ➔ **Camera Selection** ➔ **Auto Scan** ➔ **Never**.

## Setting the wake-up / feed time alarms

A wake-up alarm and up to four feed time alarms can be set.

## Setting the time

Example. Wake-up alarm time.

- ➔ **Alarm Clocks** ➔ **Morning Call** ➔ **Alarm Time**.
- ➔ **Top** [6] or **Bottom** [9] ➔ Set the hour.
- ➔ **Top** [6] or **Bottom** [9] ➔ Set the minute.

### Activating the alarm

Example: Wake-up alarm.

➔ ☰ Alarm Clocks ☰ Morning Call ☰ Alarm Status ☰ Alarm on.

### Deactivating the alarm

Example: Wake up alarm.

➔ ☰ Alarm Clocks ☰ Morning Call ☰ Alarm Status ☰ Alarm off.

### Ending the alarm function

➔ ☰ Menu<sup>[7]</sup> ↪ Alarm function is ended.

### Voice activation

When the voice activation function is switched on, the display is switched off after a certain period of silence and activated again on detecting a noise.

### Selecting the time for automatic deactivation

Example: 30 seconds.

➔ ☰ Voice Activation ☰ Close Video Time ☰ 30 seconds.

### Switching voice activation off

➔ ☰ Voice Activation ☰ Close Video Time ☰ Never.

### Selecting the sensitivity for voice activation

Example: High.

➔ ☰ Voice Activation ☰ Activation Sensitivity ☰ High.

● If Activation Sensitivity is set to Never and a Close Video Time is set, the display is switched off permanently. Only the sound is transmitted and played.

If Activation Sensitivity is set to Never and Close Video Time to Never, the sound and visual display are switched on permanently.

### Displaying video recordings

➔ ☰ Video Review Select the folder, select the video file.

↪ The video recording is played.

### Displaying photo recordings

➔ ☰ Photo Album Select the folder, select the video file.

↪ The photos in the file are displayed.

➔ ☰ Bottom<sup>[9]</sup> or ☰ Top<sup>[6]</sup> ↪ Select next/previous image, respectively.

### Basic settings

#### Date and time

➔ ☰ Settings ☰ Date and Time ☰ Date ↪ Set the date.

➔ ☰ Settings ☰ Date and Time ☰ Time ↪ Set the time.

➔ ☰ Settings ☰ Date and Time ☰ Time Format ☰ 12 hours or 24 hours.

### Function assignment to buttons

The ☰ Top<sup>[6]</sup> and ☰ Bottom<sup>[9]</sup> buttons can be assigned different functions. Either the volume can be adjusted directly or they are used to switch between the various transmitter units.

➔ ☰ Settings ☰ Up & Down Buttons Function ☰ Volume Control

↪ The ☰ Top<sup>[6]</sup> and ☰ Bottom<sup>[9]</sup> buttons adjust the volume.

➔ ☰ Settings ☰ Up & Down Buttons Function ☰

➔ Camera Selection ↪ The ☰ Top<sup>[6]</sup> and ☰ Bottom<sup>[9]</sup> buttons switch between the various transmitter units.

### Background image

➔ ☰ Settings ☰ Background Display ☰ Show Image

↪ Background image on.

➔ ☰ Settings ☰ Background Display ☰ Hide Image

↪ Background image off.

### System information

➔ ☰ Settings ☰ System Information ↪ System information is displayed.

### Activating motion detection

When motion detection is activated, the equipment can be set to issue a motion alarm or start a video recording if a movement is detected.

### Selecting the sensitivity for motion detection

Example: High.

➔ ☰ Motion Detection ☰ Motion Detection ☰ High.

### Activating automatic recording

In order to make a recording, a micro SD card (not included) must be installed in the receiver unit ).

➔ ☰ Motion Detection ☰ Motion Detection Recording ☰ Enable

↪ A red dot lights up at the top left of the display.

Recording begins when a movement is detected. Recording continues for approx. 10 sec. after a movement is detected. At the same time, the red dot at the top left of the display flashes and the number of seconds recorded appears beside it.

- All the videos recorded in one day are stored in a separate folder.

### Deactivating automatic recording

➔ ☰ Motion Detection ☰ Motion Detection Recording ☰ Disable.

### Activating the motion detection alert

➔ ☰ Motion Detection ☰ Motion Detection Alert ☰ Enable.

An acoustic alarm is issued when a movement is detected.

### Deactivating the motion detection alert

➔ ☰ Motion Detection ☰ Motion Detection Alert ☰ Disable.

## Power adapter plug, transmitter unit

Using the energy-efficient power adapter plug FKS106HSC-0501000E (input 100-240 V<sub>AC</sub>, output 5 V<sub>DC</sub>, 1000 mA) the zero load is approx. 0 W. The average efficiency is approx. 70.3 %. The maximum power consumption is approx. 5.4 W.

## Power adapter plug, receiver unit

Using the energy-efficient power adapter plug FKS106HSC-0501000E (input 100-240 V<sub>AC</sub>, output 5 V<sub>DC</sub>, 1000 mA) the zero load is approx. 0 W. The average efficiency is approx. 70.3 %. The maximum power consumption is approx. 3.7 W.

## Service hotline

In the case of technical problems, contact our Service hotline.


Switzerland: Tel. 0900 00 1675 (national charges, Swisscom at time of going to print: CHF 2.60/min).


In the case of claims under the terms of guarantee, contact your sales outlet.

## Maintenance

- Clean the surface of the housing with a soft, fluff-free cloth.
- Do not use any cleaning agents or solvents.

## Disposal

 In order to dispose of your device, take it to a collection point provided by your local public waste authorities (e.g. recycling centre). According to the laws on the disposal of electronic and electrical devices, owners are obliged to dispose of old **electronic and electrical devices** in a separate waste container. The adjacent symbol indicates that the device must not be disposed of in normal domestic waste!

 You are legally obliged to dispose of power packs and batteries at the point of sale or in the corresponding containers provided at collection points by local public waste authorities. Disposal is free of charge. The symbols indicate that the batteries must not be disposed of in normal domestic waste and that they must be brought to collection points provided by local public waste authorities.

**Packaging materials** must be disposed of according to local regulations.

## Guarantee


SWITEL equipment is produced and tested according to the latest production methods. The implementation of carefully chosen materials and highly developed technologies ensure trouble-free functioning and a long service life. The terms of guarantee do not apply to the batteries or power packs used in the products. The period of guarantee is 24 months from the date of purchase.

All deficiencies related to material or manufacturing errors within the period of guarantee will be redressed free of charge. Rights to claims under the terms of guarantee are annulled following tampering by the purchaser or third parties. Damage caused as the result of improper handling or operation, normal wear and tear, incorrect

positioning or storage, improper connection or installation or Acts of God and other external influences are excluded from the terms of guarantee. In the case of complaints, we reserve the right to repair defective parts, replace them or replace the entire device. Replaced parts or devices become our property. Rights to compensation in the case of damage are excluded where there is no evidence of intent or gross negligence by the manufacturer.

If your device does show signs of a defect within the period of guarantee, please contact the sales outlet where you purchased the SWITEL device, producing the purchase receipt as evidence. All claims under the terms of guarantee in accordance with this agreement can only be asserted at the sales outlet. No claims under the terms of guarantee can be asserted after a period of two years from the date of purchase and hand-over of the product.

## Declaration of Conformity

 This device fulfils the requirements stipulated in the Directive 1999/5/EC on radio equipment and telecommunications terminal equipment and the mutual recognition of their conformity. Conformity with the above mentioned directive is confirmed by the CE mark on the device. To view the complete Declaration of Conformity, please refer to the free download available on our web site [www.switel.com](http://www.switel.com).